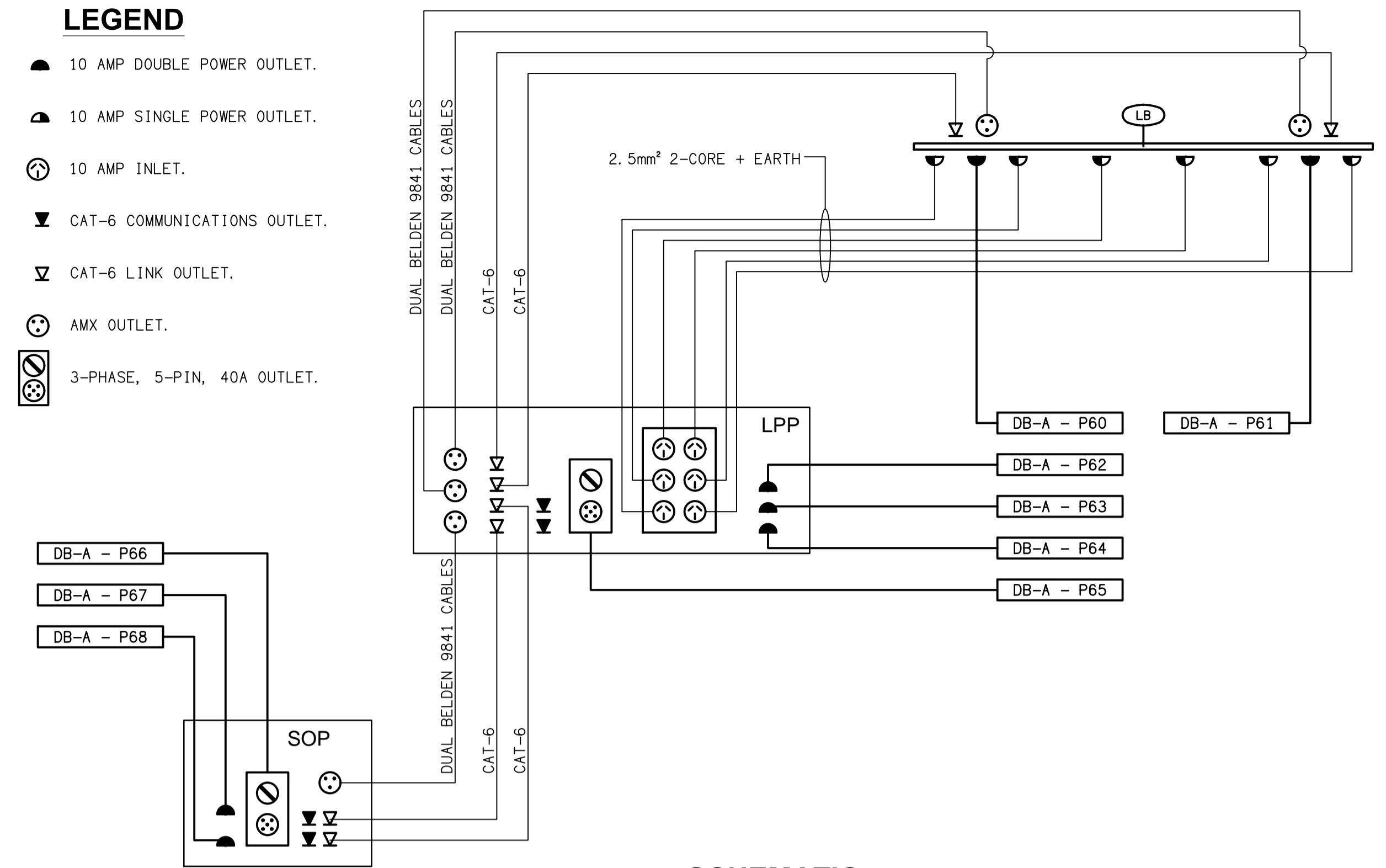


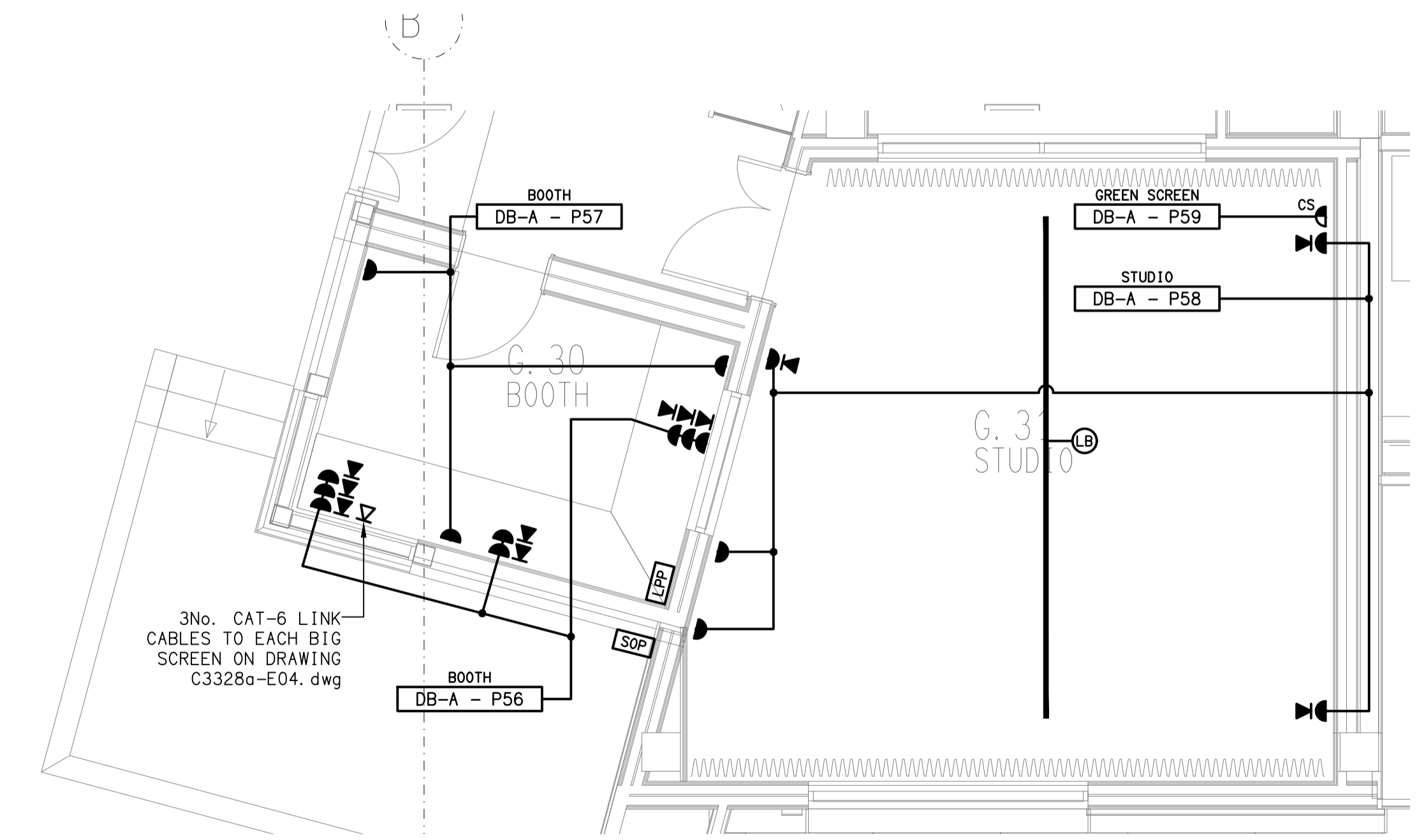
CANTEEN KITCHEN
FLOOR PLAN
SCALE 1:50

LEGEND

- ▲ 10 AMP DOUBLE POWER OUTLET.
- ▲ 10 AMP SINGLE POWER OUTLET.
- ⊕ 10 AMP INLET.
- ▼ CAT-6 COMMUNICATIONS OUTLET.
- ▽ CAT-6 LINK OUTLET.
- ⊙ AMX OUTLET.
- ⊗ 3-PHASE, 5-PIN, 40A OUTLET.



SCHEMATIC
BOOTH POWER / CONTROL
NOT TO SCALE



BOOTH & STUDIO
FLOOR PLAN
SCALE 1:50

ELECTRICAL DESIGN GROUP BRISBANE
PTY LTD
ACN 092 710 793
TRADING AS:
ELECTRICAL DESIGN GROUP

THE COPYRIGHT OF THIS DRAWING
REMAINS THE PROPERTY OF THE
ELECTRICAL DESIGN GROUP.
USE FIGURED DIMENSIONS
IN PREFERENCE TO SCALE.
ALL DIMENSIONS TO BE
VERIFIED ONSITE.



Rohrig (Qld) Pty Ltd
ABN 67 093 753 970
QBSA LIC NO 740842
250 Abbotsford Road, Bowen Hills Qld 4006
PO Box 86 Albion DC Qld 4010
T+61 (7) 3257 4411 F+61 (7) 3257 2211
www.rohrig.com.au

ELECTRICAL DESIGN GROUP
ELECTRICAL BUILDING SERVICES CONSULTANTS
BRISBANE GOLD COAST

P.O. Box 15, Sherwood Q.4075
Phone: (07) 3278 4375
Email: brisbane@edg.net.au
Web: www.edg.net.au

PROJECT:
**ORMISTON COLLEGE
CENTRE FOR LEARNING & INNOVATION**

97 DUNDAS STREET WEST, ORMISTON

A	INFORMATION	09/10/2024
REV:	DESCRIPTION:	DATE:

DRAWING:
**ELECTRICAL SERVICES
CANTEEN KITCHEN, BOOTH & STUDIO
FLOOR PLANS**

SCALE: 1:50	PROJECT NO: C3328a	DRAWING NO: E08	REVISION: A
----------------	-----------------------	--------------------	----------------